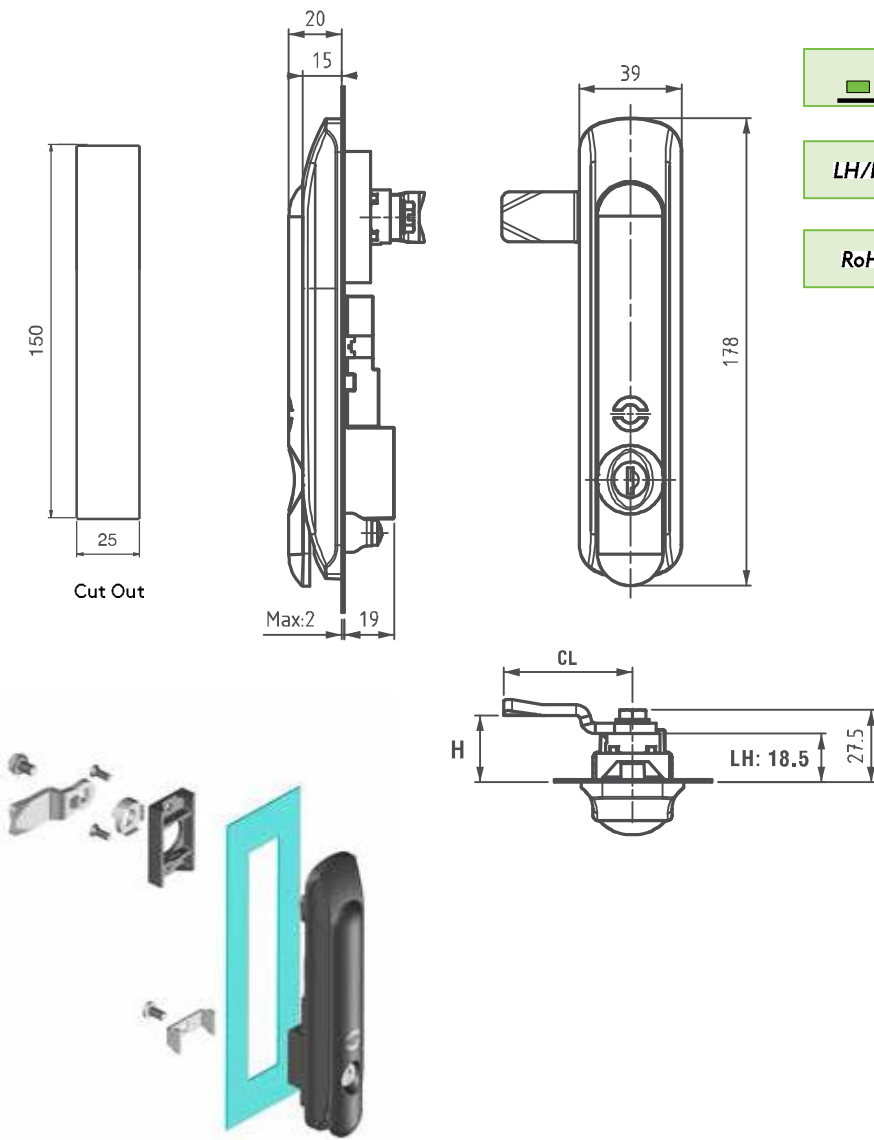


808

SWINGHANDLE



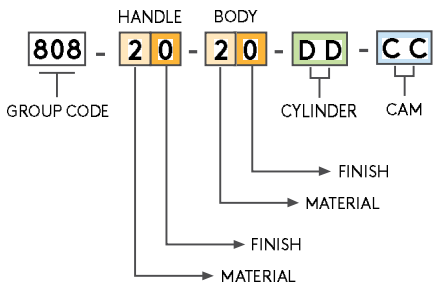
-  LH/RH
-  RoHS






**APPLICATIONS**  
Electric panels, machinery covers, rack cabinets

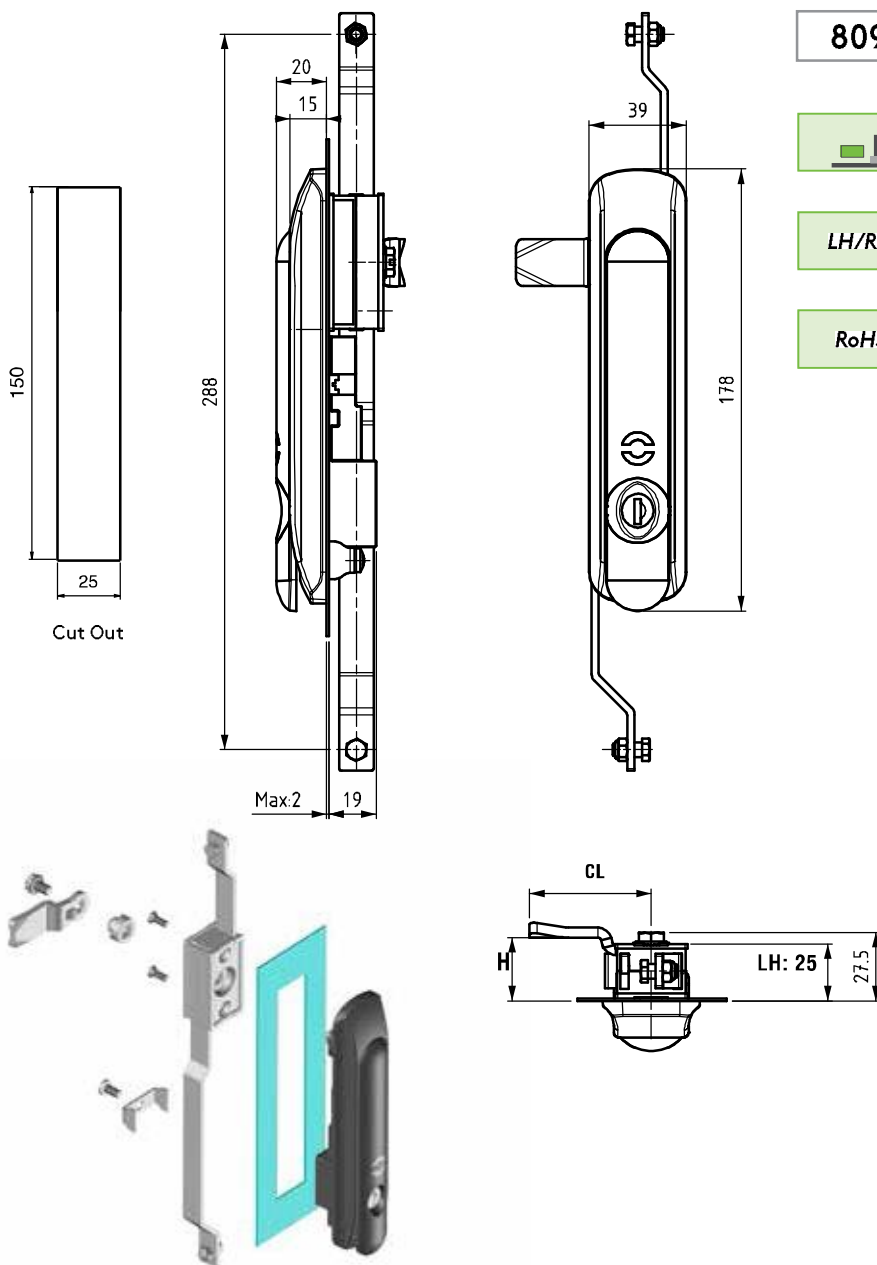
**MATERIAL**  
**BODY:** Polyamide DIN-EN ISO 1043-1 PA6 GFR 30  
**HANDLE:** Polyamide DIN-EN ISO 1043-1 PA6 GFR 30  
**CAM:** Steel - PA6 GFR 30  
**SEAL:** Polyurethane

**PRODUCT CODE**



CYLINDER	SPECIFICATIONS	DD
	Stainless steel dust cap (Keyed alike)	03
	Stainless steel dust cap (Keyed differ)	32
	Master system	04
	Euro key (5333)	05
	CH751 (Stainless steel dust cap)	07

 For cams please check pages: 144 - 145  
 For rods please check pages: 150 - 161



809

SWINGHANDLE GEAR BOX



LH/RH

RoHS



- Offers an economical solution

### APPLICATIONS

Electric panels, machinery covers, rack cabinets

### MATERIAL

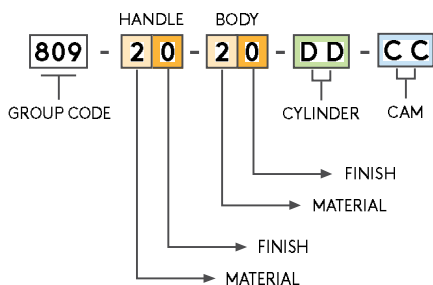
BODY: Polyamide DIN-EN ISO 1043-1 PA6 GFR 30


MECHANISM: Zamak DIN-EN 1774-ZnAl4Cu1


HANDLE: Polyamide DIN-EN ISO 1043-1 PA6 GFR 30

SEAL: Polyurethane

### PRODUCT CODE



CYLINDER	SPECIFICATIONS	DD
	Stainless steel dust cap (Keyed alike)	03
	Stainless steel dust cap (Keyed differ)	32
	Master system	04
	Euro key (5333)	05
	CH751 (Stainless steel dust cap)	07

 For cams please check pages: 146 - 147

 For rods please check pages: 150 - 161

# ▶ ELECTRONIC LOCKING SYSTEM

## ELECTRONIC SWINGHANDLE

3103



High security electronic products to protect your organisation's data

### APPLICATIONS:

- Rack cabinets
- Server rooms
- Telecommunication
- Kiosks
- GSM network cabinets

### Electrical Specifications:

Operating Voltage: 12 VDC  
 Operating Temperature: +60/-10 C  
 Nominal Operating Current:  
 Standby: 6mA  
 Lock/Unlock: 75mA  
 Max. Current: 400mA

### PIN Connections;

- PIN 1- GND
- PIN 2- +12V
- PIN 3- Door Position Sensor
- PIN 4- Error Signal
- PIN 5- Control Signal
- PIN 6- Handle Position Sensor

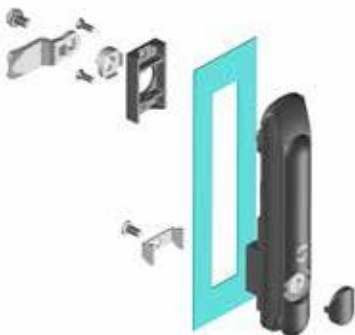
### Lock Warning Signs

Signal 1		While opening the lock	LED 1 blinks fast.
Signal 2		While closing the lock	LED 2 blinks fast.
Signal 3		When the lock is open	Both LEDs blink fast.
Signal 4		When the handle is open	Both LEDs not lit
Signal 5		Error	Both LEDs blink slow.
Signal 6		Ready	Both LEDs are lit.

- Compatible with access control systems.
- Ability to work mechanically in case of power outage.
- In case of emergency can be opened mechanically
- Capable to inform door status with integrated reed switch.
- Capable to inform handle position with integrated micro switch.
- Provides opportunity to work mechanically or electronically by changing the rear cover.
- Capable to inform faulty situations with integrated micro switches.
- LED indicators

### MATERIALS

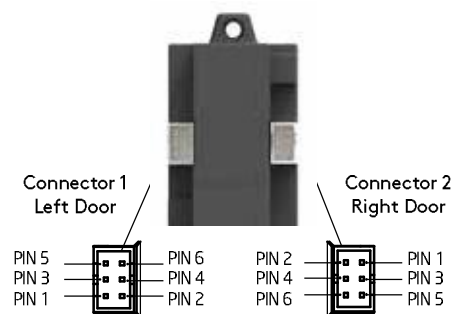
BODY: Polyamide DIN-EN ISO 1043-1 PA6 GFR 30  
 HANDLE: Polyamide DIN-EN ISO 1043-1 PA6 GFR 30  
 CAM: Steel



### ELECTRONIC REAR COVER



### PIN DETAILS

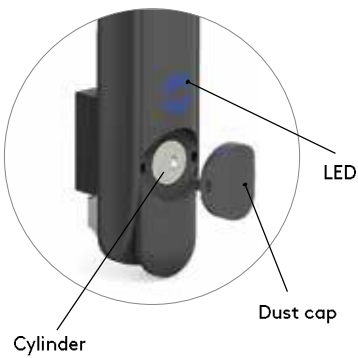
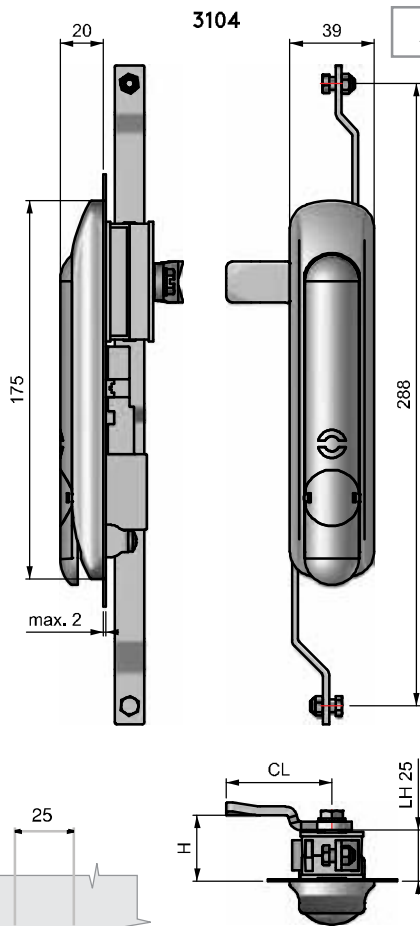
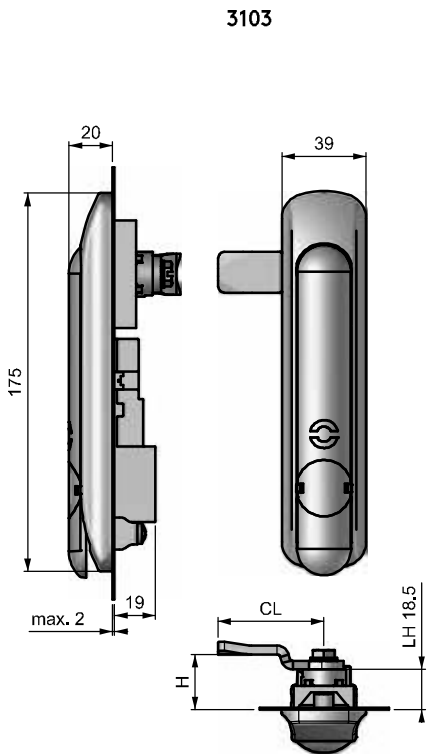


Both connectors have the same function.

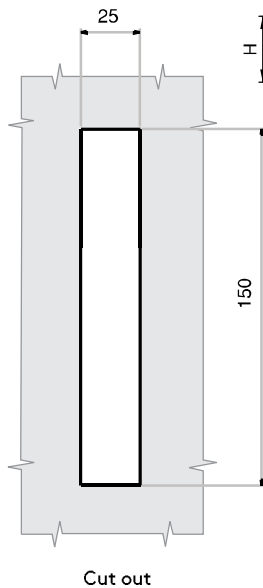
### Connection Cable



Cable length is 4 m.  
 The same connectors are crimped both ends of the cable.



In case of power outage remove the dust cover on the handle and open with the key.

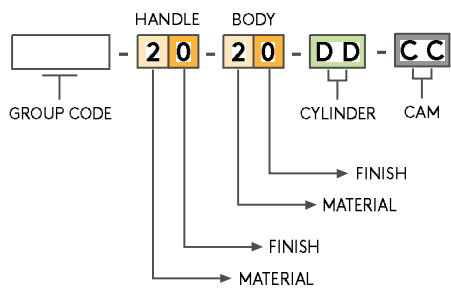


## ELECTRONIC SWINGHANDLE



### MATERIALS

- BODY: Polyamide DIN-EN ISO 1043-1 PA6 GFR 30
- HANDLE: Polyamide DIN-EN ISO 1043-1 PA6 GFR 30
- CAM: Steel



For cams and rods, please check  
► Page: 146 -150



SPECIFICATIONS	DD
Stainless steel dust cap (Keyed alike)	40
Stainless steel dust cap (Keyed differ)	32