

114

MINI 'T' HANDLE CABINET LOCK



IP 65



LH/RH

RoHS



- Single-point locking
- 10 - 45 mm grip range
- Easy fixing with roller cam
- Provides sealing with compression property
- Option to use with or without padlock
- Use rivets or bolts for fixing
- Can be supplied without cylinder

APPLICATIONS

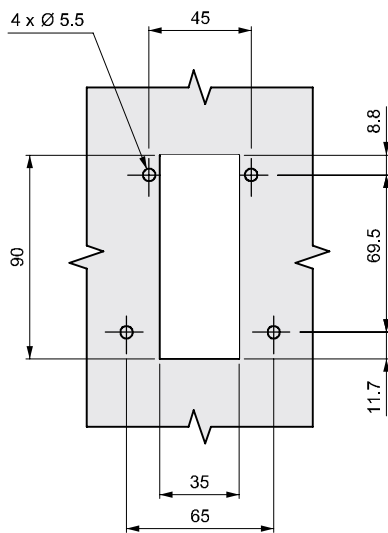
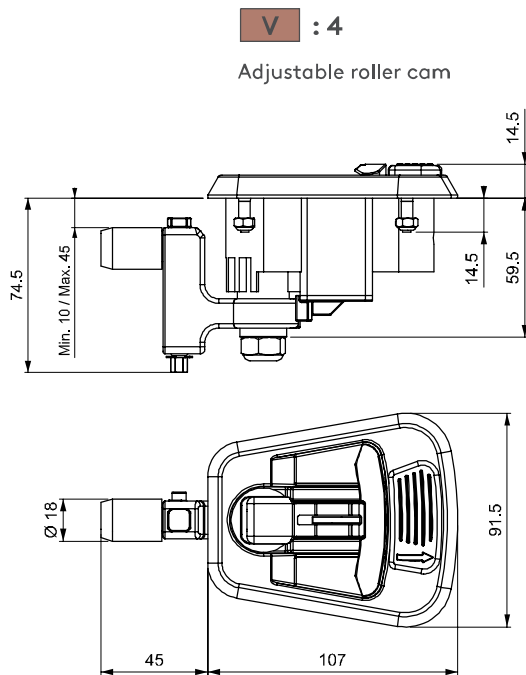
Generators, construction equipment, electric panels, panel vans, machinery covers

MATERIAL

BODY: Polyamid DIN-EN ISO 1043-1PA6 GFR 30
HANDLE: Zamak DIN-EN 1774-ZnAl4Cu1

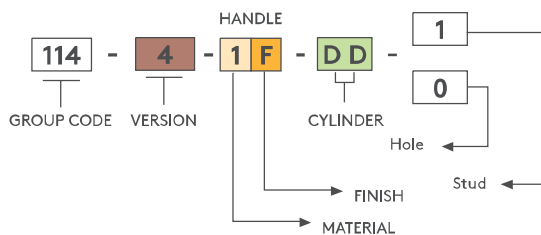
FINISH

HANDLE: Chrome or black coated




Cut Out

PRODUCT CODE



| SPECIFICATIONS | DD |
|---|----|
| Stainless steel dust cap (Keyed alike) | 03 |
| Stainless steel dust cap (Keyed differ) | 32 |
| CH751 (Stainless steel dust cap) | 07 |

| FINISH | F |
|--------------|---|
| Chrome | 1 |
| Black coated | 2 |

 **Note:** The listing of this/these product(s) in the catalogue does not constitute an offer to sell any of those products in the UK and USA

HEAVY-DUTY LOCKS

MINI 'T' HANDLE CABINET LOCK

114



IP 65



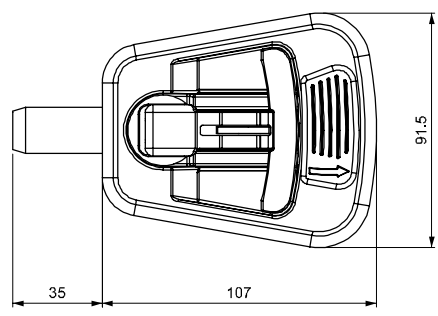
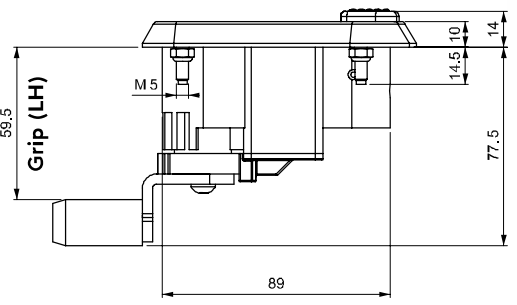
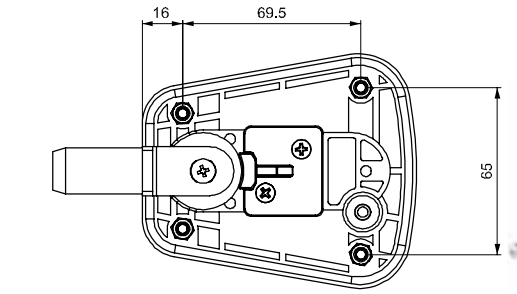
LH/RH

RoHS



- 1- Double security
- 2- Cylinder locking system
- 3- Sliding dust cap

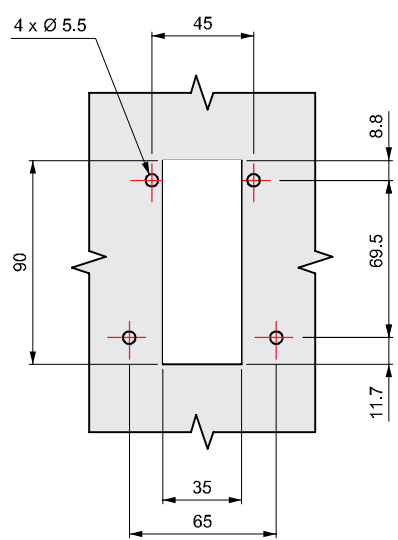
Note: The listing of this/these product(s) in the catalogue does not constitute an offer to sell any of those products in the UK and USA



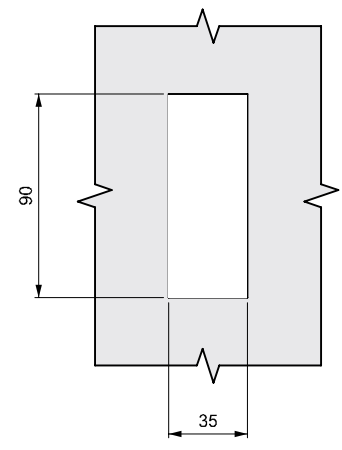
V : 2
Stud version



V : 3
Hole version



Cut Out V2 - V3



Cut Out V1

114

MINI 'T' HANDLE CABINET LOCK

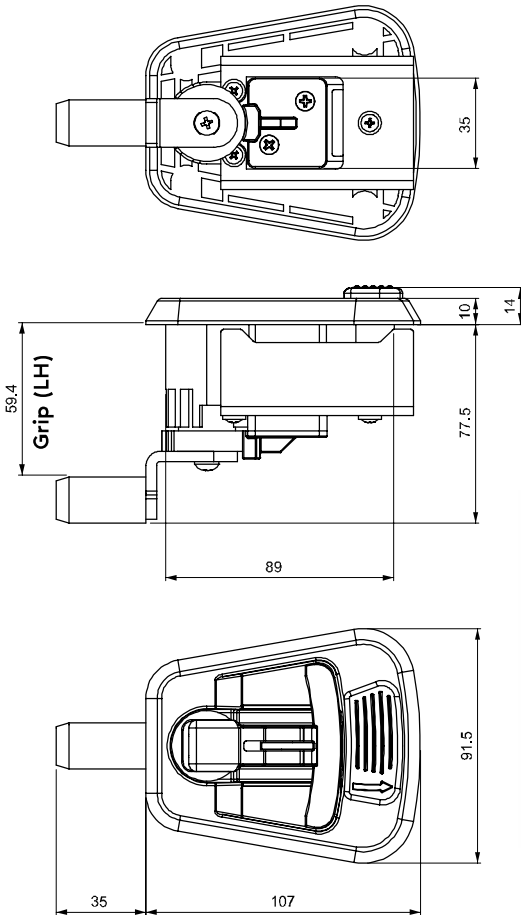


IP 65

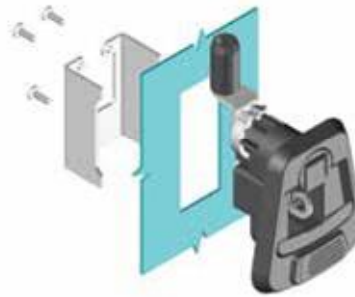


LH/RH

RoHS



V : 1
Bracket version



- Single point locking
- Easy locking by the roller cam
- 4 mm compression
- Optionally used with or without padlock.
- Fixing is possible by rivets, bolts or bracket
- Can be supplied without cylinder.
- Fixed grip
- Please contact us for different grip (LH)

APPLICATIONS

Generators, construction equipment, electric panels, panel vans, machinery covers

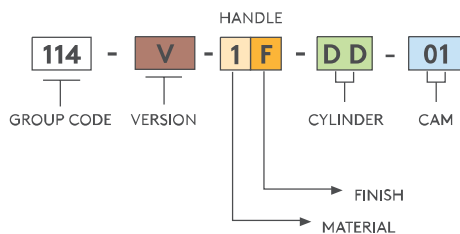
MATERIAL

BODY: Polyamid DIN-EN ISO 1043-1 PA6 GFR 30
HANDLE: Zamak DIN-EN 1774-ZnAl4Cu1
CYLINDER: Zamak DIN-EN 1774-ZnAl4Cu1

FINISH


HANDLE: Chrome or black coated

PRODUCT CODE



| SPECIFICATIONS | D D |
|---|-----|
| Stainless steel dust cap (Keyed alike) | 03 |
| Stainless steel dust cap (Keyed differ) | 32 |
| CH751 (Stainless steel dust cap) | 07 |

| FINISH | F |
|--------------|---|
| Chrome | 1 |
| Black coated | 2 |

 **Note:** The listing of this/these product(s) in the catalogue does not constitute an offer to sell any of those products in the UK and USA