


# ROD-LATCH SYSTEM

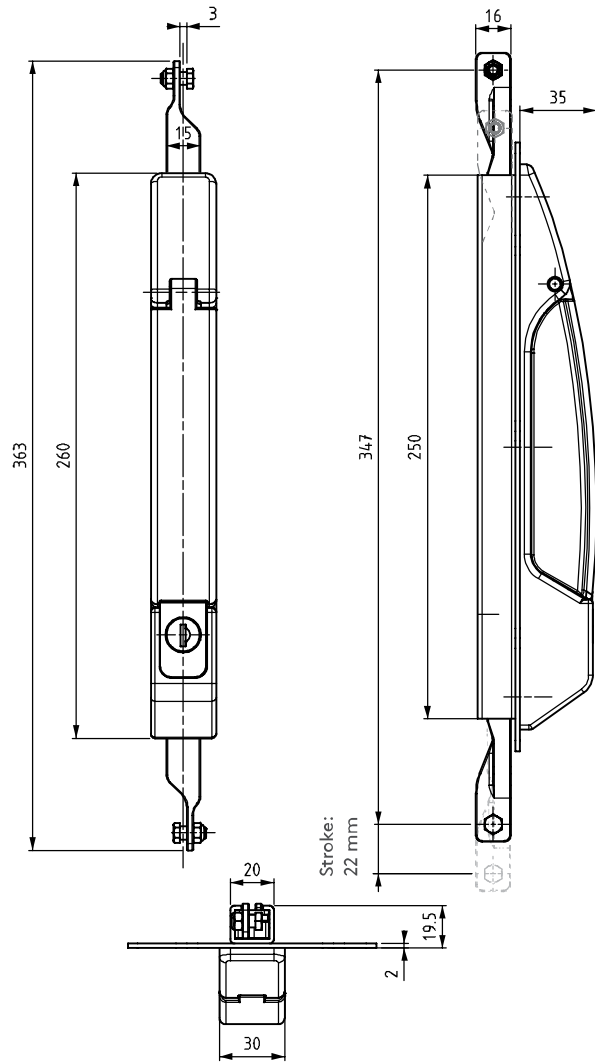
## LINEAR HANDLE LOCK

104

ALL IN METAL



- 
- LH/RH**
- RoHS**



- Linear handle movement allows locking and unlocking
- Suitable for out-of-gasket applications

### APPLICATIONS

Electric panels

### MATERIAL

BODY: Zamak DIN-EN

1774-ZnAl4Cu1

HANDLE: Zamak DIN-EN

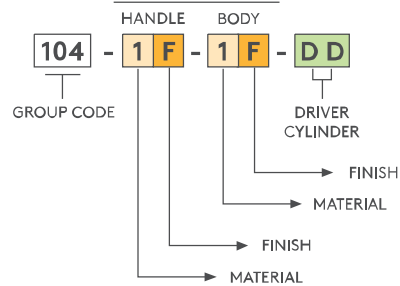
1774-ZnAl4Cu1

MECHANISM: Steel

CAM: Steel

SEAL: Polyurethane


### PRODUCT CODE



DRIVERS		
5 mm Double bit	8 mm Square	9 mm Triangular
		
15	28	39

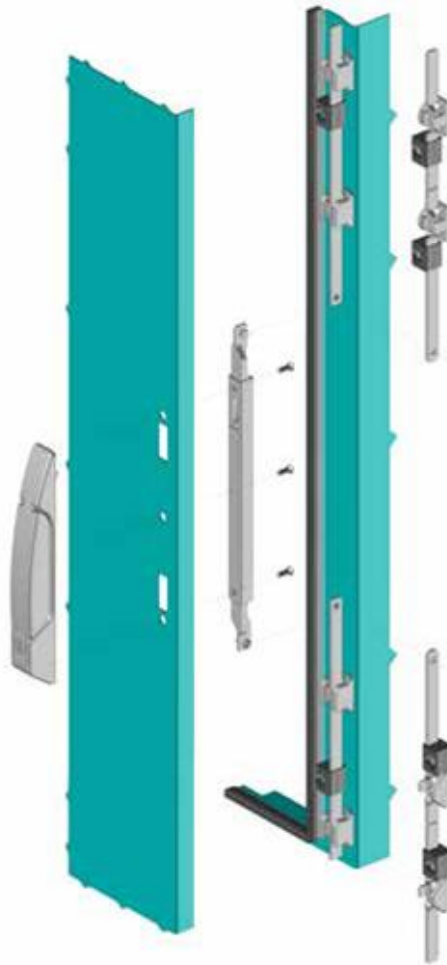
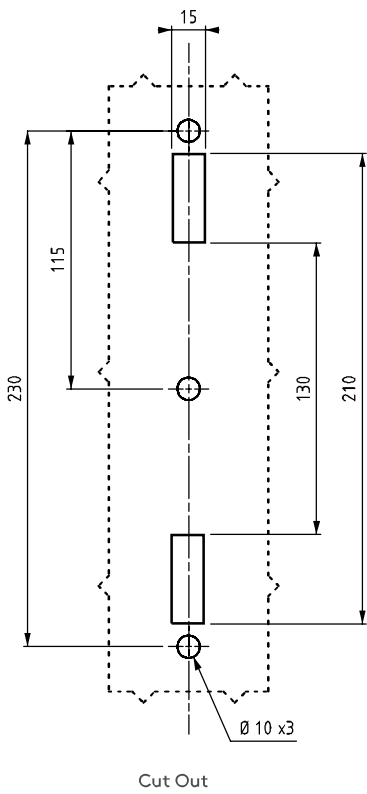
MATERIAL	M
Zamak	1

FINISH	F
Chrome	1
Black coated	2

CYLINDER TYPE		DD
	Keyed alike	01
	Keyed differ	02
	Stainless steel dust cap (Keyed alike)	03
	Stainless steel dust cap (Keyed differ)	32
	Euro key (5333)	05
	CH751 (Stainless steel dust cap)	07

104

LINEAR HANDLE LOCK



Application

