



761

## QUARTER TURN - EASY FIXING



- Easy assembly by plastic clips
- Applicable on different panel thicknesses
- Various driver options are possible
- Logo application upon request
- Easy assembly - without tools
- Standard cut out

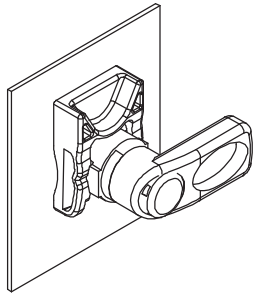
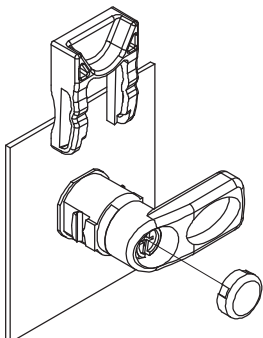
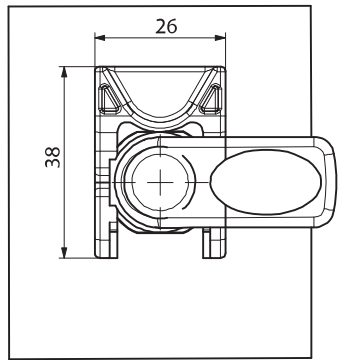
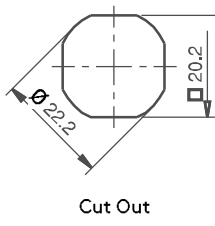
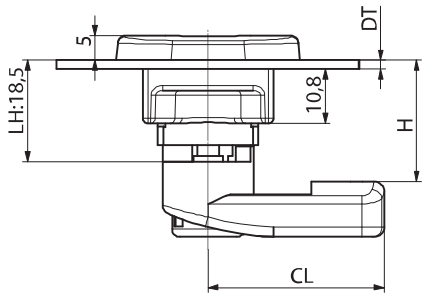
**MATERIAL**  
**HOUSING:** Polyamide DIN-EN ISO 1043-1 PA6 GFR 30  
**DRIVER:** PA6 GFR 30 or zamak  
**CAM:** Plastic or steel

**320.02.221**  
**BOLT COVER (For grounding)**

- Can order separately (only for plastic cams)

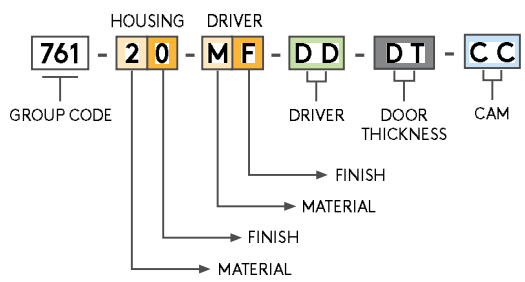
**Note:** For different colors please contact Essentra

- For cams please check pages: 170 - 171
- For drivers please check page: 194
- For keys please check pages: 189 - 191



SPECIFICATIONS		DT
1.2 -1.8 mm panel thickness		12
1.8 -2.3 mm panel thickness		23

### PRODUCT CODE



MATERIAL	M
Zamak	1
Plastic	2

FINISH	F
Chrome	1
Black coated	2
No finish	0

# CAM LOCKS

## CAM LOCK-EASY FIXING

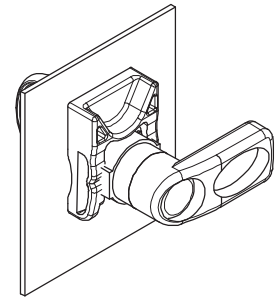
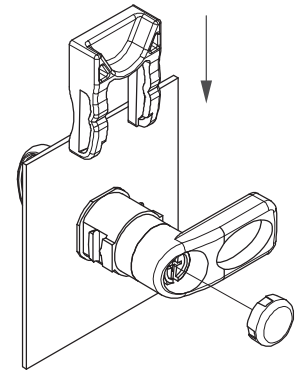
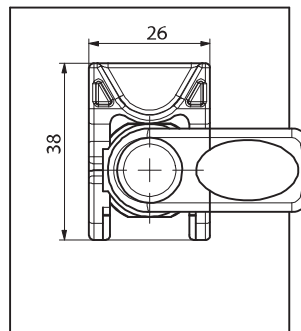
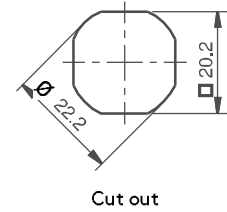
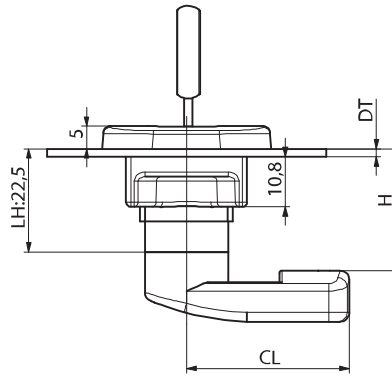
761



- Easy assembly by plastic clips
- Applicable on different panel thicknesses
- Various driver options
- Logo application upon request

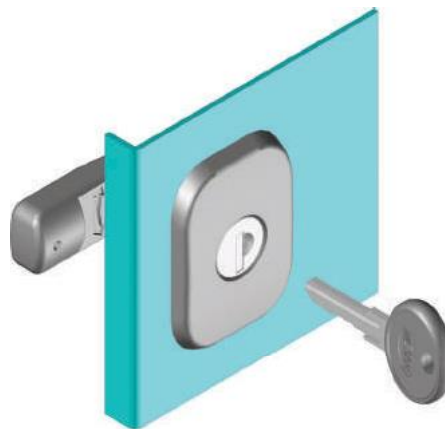
### MATERIAL

HOUSING: Polyamide DIN-EN ISO 1043-1 PA6 GFR 30  
 CYLINDER: Zamak DIN-EN 1774-ZnAl4Cu11  
 CAM: Plastic or steel



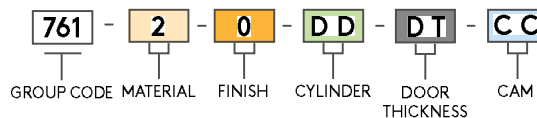
320.02.221  
 BOLT COVER (For grounding)


- Can order separately (only for plastic cams)



SPECIFICATIONS	DT
1.2 -1.8 mm panel thickness	12
1.8 -2.3 mm panel thickness	23

### PRODUCT CODE



CYLINDER	SPECIFICATIONS	DD
	Keyed alike (Stainless steel dust cap)	03
	Keyed differ (Stainless steel dust cap)	32
	Master System	04
	Euro key (5333)	05
	CH751 (Stainless steel dust cap)	07

For cams please check pages: 170 - 171