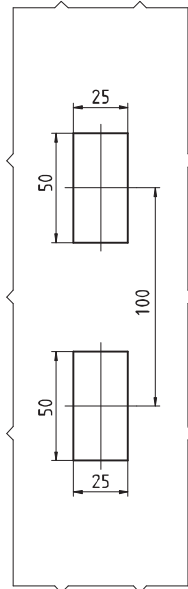


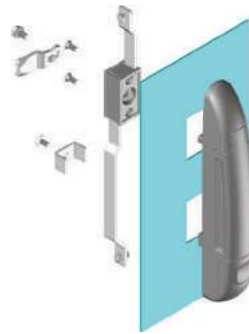
ROD-LATCH SYSTEM

LINEAR HANDLE LOCK

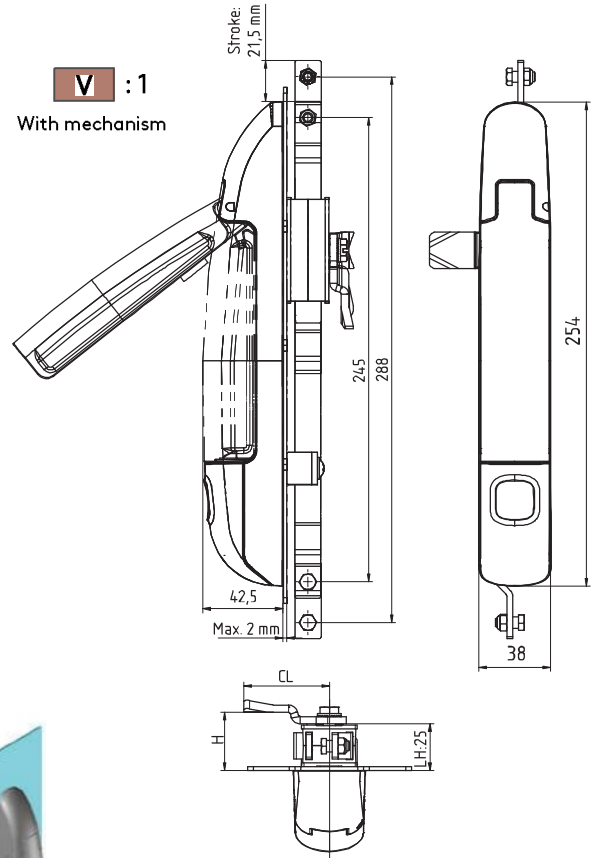
204



Cut out



V : 1
With mechanism



- Ergonomic and modern design
- Locking and unlocking by linear movement
- Suitable for inside & outside gasketing applications
- Swing handle has a modular lock structure allows easy modification for customer requests
- Standard or special rods allows locking to both directions

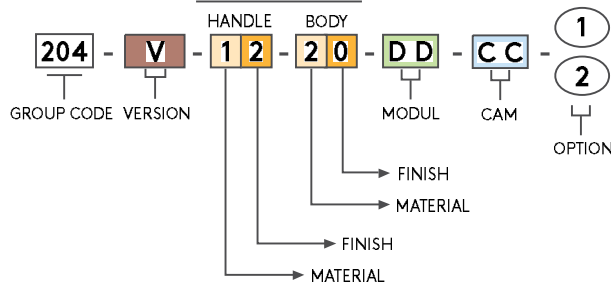
MATERIAL

BODY: PA6 GFR 30
HANDLE: Zamak DIN-EN 1774-ZnAl4Cu1

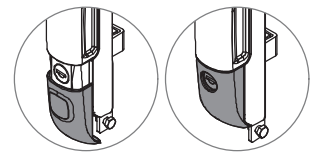
MECHANISM:

Steel
CAM: Steel
SEAL: Polyurethane

PRODUCT CODE



OPTION



1 Sliding dust cover 2 Fixed cover

MODUL

5 mm Double bit	8 mm Square	9 mm Triangular	Button
15	28	39	55

MATERIAL

MATERIAL	M
Zamak	1

FINISH

FINISH	F
Black coated	2

⚠ Note: For different colors please contact Essentra

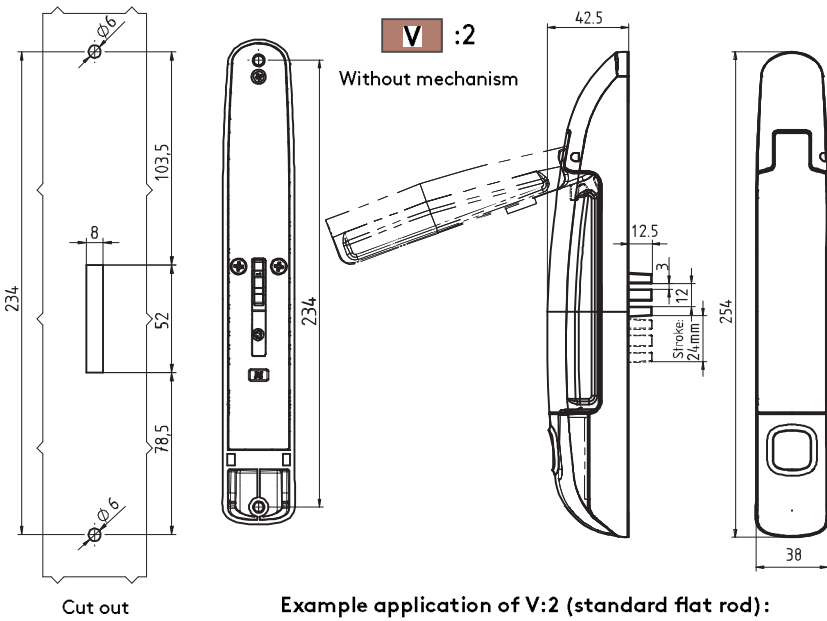
For cams please check pages: 172 - 173

For rods please check pages: 178- 188

For keys please check pages: 189 - 191

CYLINDER TYPE

CYLINDER TYPE	DD
Stainless steel dust cap (Keyed alike)	03
Stainless steel dust cap (Keyed differ)	32
Euro key (5333)	05
CH751 (Stainless steel dust cap)	07



Example application of V:2 (standard flat rod):

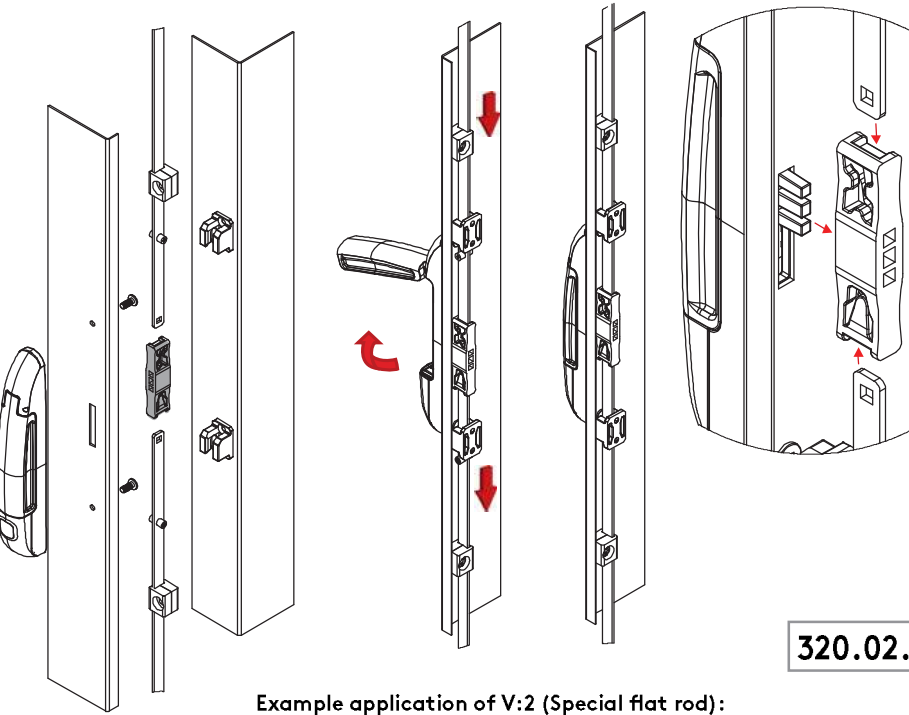
204

LINEAR HANDLE LOCK



- Ergonomic and modern design
- Locking and unlocking by linear movement
- Suitable for inside & outside gasketing applications
- Swing handle has a modular lock structure allows easy modification for customer requests
- Standard or special rods allows locking to one direction

MATERIAL
 BODY: PA6 GFR 30
 HANDLE Zamak DIN-EN 1774-ZnAl4Cu1



Example application of V:2 (Special flat rod):

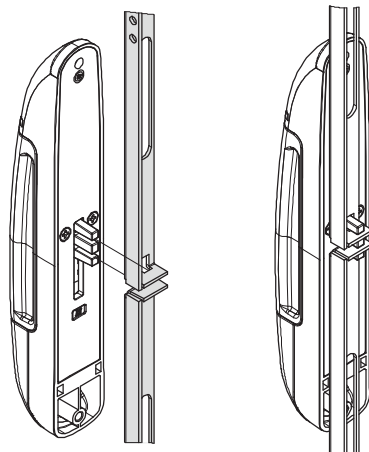
320.02.225

FLAT ROD EASY ASSEMBLY PART



- Allows easy mounting of the flat rods

MATERIAL
 PA6 GFR 30



For rods please check pages: 178- 188

For keys please check pages: 189 - 191