

STAINLESS STEEL PRODUCTS

ANTI CONTAMINATION LOCK

460

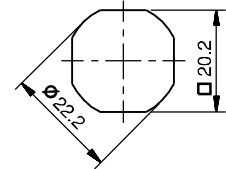
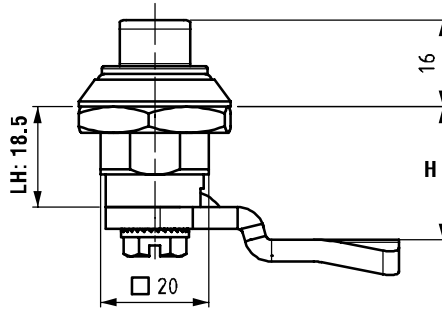


IP 69K



LH/RH

RoHS

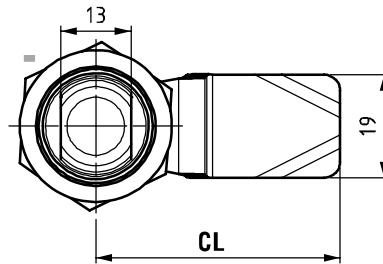


Cut out

- Dirt resistant and easy to clean
- Specially designed for hygiene requirements of food sector

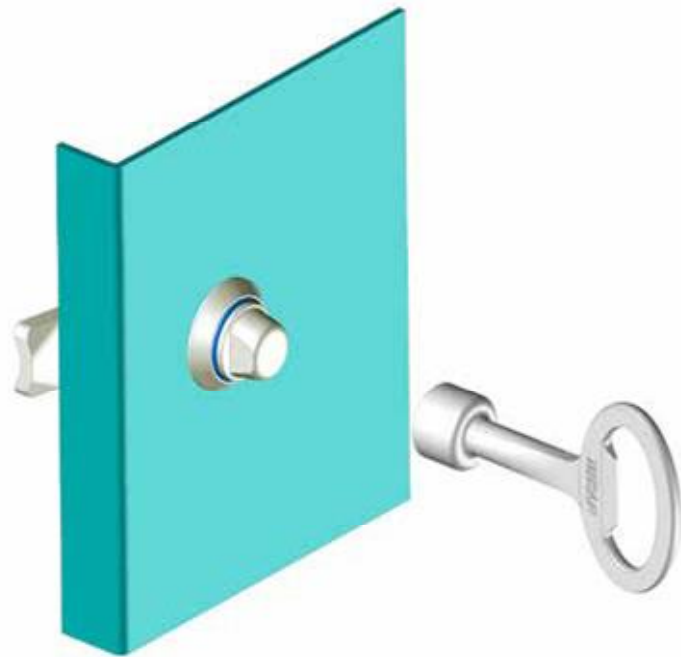
MATERIAL

HOUSING: Stainless Steel (AISI 316)
 DRIVER: Stainless Steel (AISI 316)
 CAM: Stainless Steel (AISI 304)
 ORING: Silicone



METAL KEY

368-94



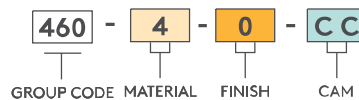
MATERIAL

Zamak DIN-EN 1774-ZnAl4Cu1

FINISH

Chrome plated

PRODUCT CODE



For cams please check page: 148