

296

CONCEALED HINGE



LH/RH



- Door part can be removed out from frame part without removing the pins
- Provides easy assembly
- Suitable for 23.5mm door bend

**APPLICATIONS**

Electric panels, machinery covers

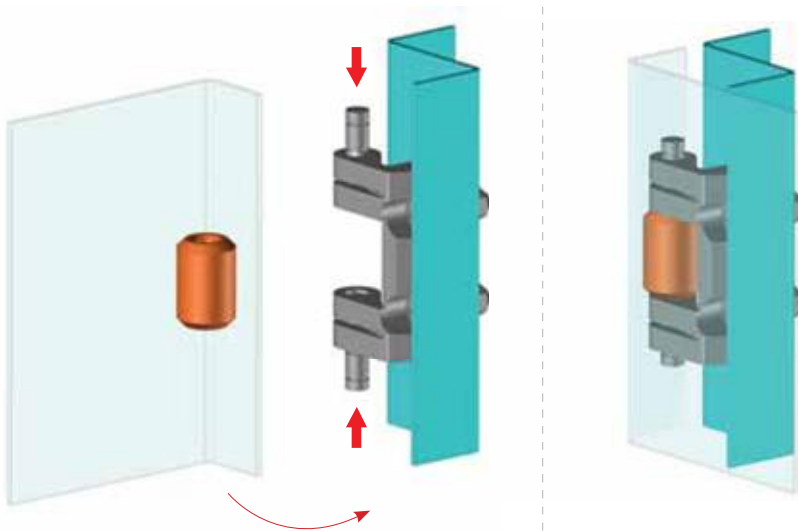
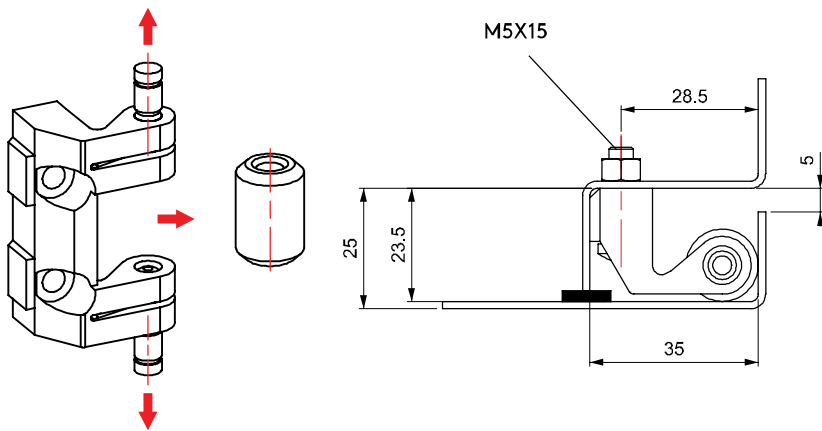
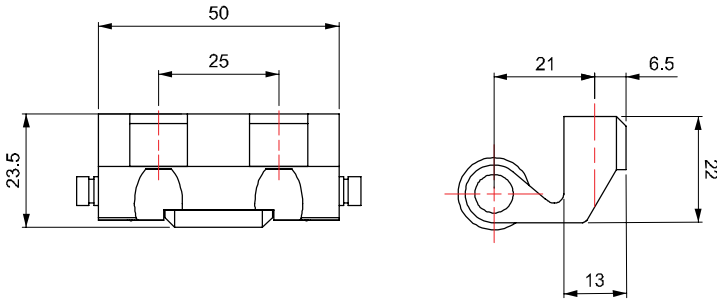
**MATERIAL**

BODY: Zamak DIN-EN 1774-ZnAl4Cu1

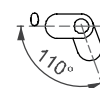
FIXED PART: Steel

**FINISH**

BODY: Zinc plated  
FIXED PART: Copper plated



Hinge Rotation Angle



**PRODUCT CODE**

296	-	1	-	3	-	2
GROUP CODE		MATERIAL		FINISH		VERSION

**Note:** Bolts are not supplied