

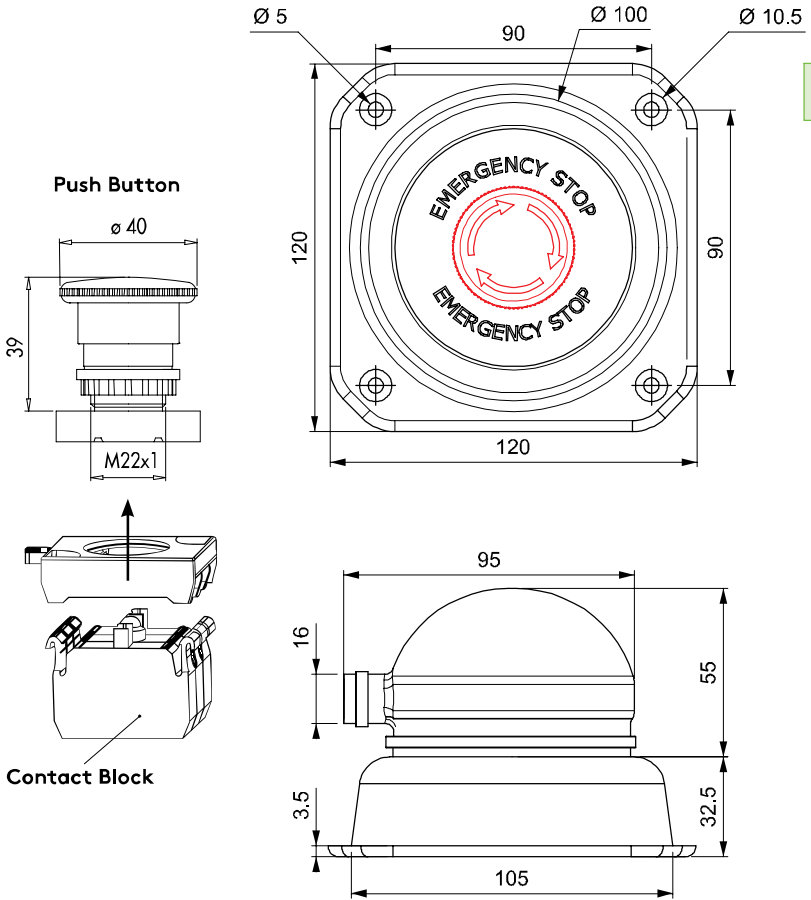


3501

EMERGENCY STOP BUTTON



IP 65



- Easy to install
- Different contact options (max. 3 contact)
- Standard wire length is 2.5 m
Standard conduit length is 2 m

APPLICATIONS

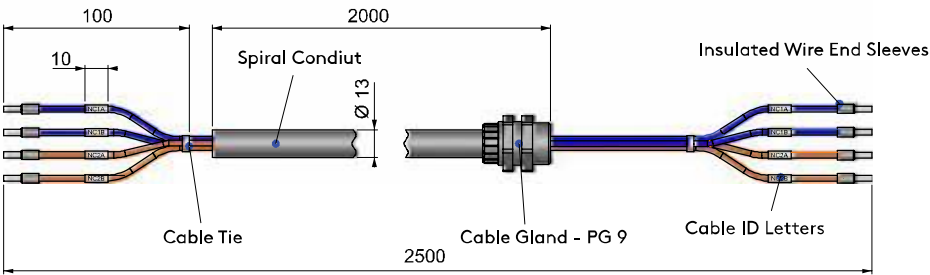
Generators

MATERIAL

- BOWL:** Polyamid DIN-EN ISO 1043-1 PA6 GFR 30
- PROTECTIVE COVER:** PVC
- GASKET:** EPDM
- SPIRAL CONDUIT:** PA6
- CABLE GLAND:** PA66

BUTTON SPECIFICATIONS

Mechanical Life : 500.000 operations min.
 Electrical Life : 100.000 operations min.
 Operating Temperature : min./max. °C -5/+40
 Protection Degree : IP65
 Operating Frequency : Without load 3000 oper./hour - At full load 1200 oper./hour
 Rated Operating Voltage U_e : 230 V AC
 Rated Operating Current I_e : 4 A
 Insulation Voltage U_i : 300 V
 Stroke Resistance Voltage U_{imp} : 2.5 kV
 Standard Contact Material : AgNi
 Insulation Resistance : 10 M Ω min. (500 V DC)
 Dielectrical Strength :
 Between body-contact : 2000 V AC
 Open contact : 1500 V AC
 Connection Cable Cross-Section : 1.5-2.5 mm²
 Standard : UL 508/TS EN 60947-5-1/ VDE0660/IEC 60393-1



Contact Block Type		Product Code
Normally Open	Normally Closed	
		3501.V
-	1	3501.1
-	2	3501.2
1	1	3501.3
1	-	3501.4
2	-	3501.5